

Plastic Angle Seat Globe Valves GEMÜ N507/N560/N570

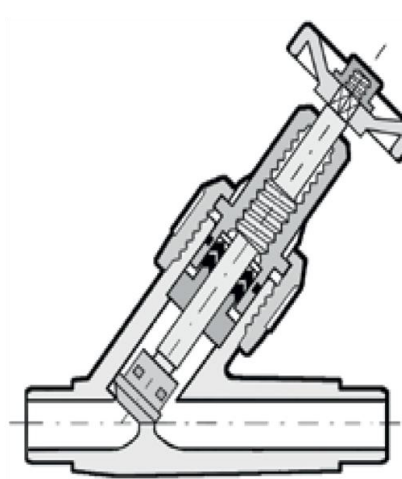
Areas of application

- Industrial water treatment
- Mechanical engineering and processing industry

Features

- Simple installation
- Low weight
- Good flow capability
- Made from corrosion resistant materials

Angle seat globe valve with handwheel GEMÜ N507



The GEMÜ N507 manually operated valve consists entirely of plastic. All components (except for sealing elements) are made from PVC-U. The valve is not suitable for gases as it is not soft seated.

Technical specifications

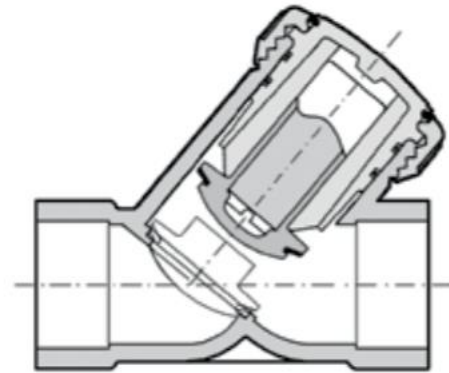
- Nominal sizes: DN 10 to 100
- Connections: Spigots, threaded sockets, solvent cement sockets, flanges
- Body material: PVC-U, grey
- Media temperature: 10 to 60 °C
- Operating pressure: max. 16 bar

Applications

- For isolation and control of liquids in pipings
- Protection against pressure surges

Click [here](#) for more information.

Check valve GEMÜ N560



The GEMÜ N560 check valve comprises an angle seat globe valve body made of plastic (either PVC-U or PP-H). The sealing elements are manufactured from EPDM and FPM.

Technical specifications

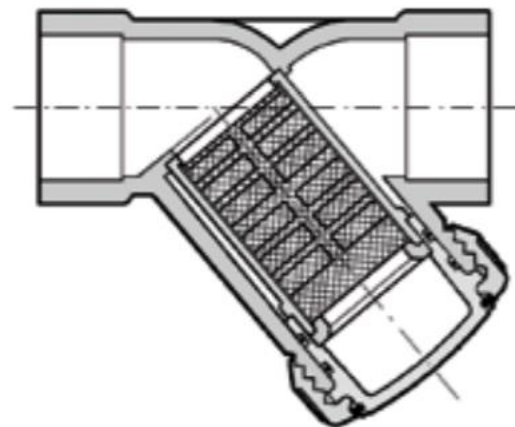
- Nominal sizes: PVC-U: DN 10 to 100, PP-H: DN 15 to 80
- Connections: Spigots, threaded sockets, solvent cement sockets, flanges
- Body material: PVC-U, grey; PP-H, grey
- Media temperature: PVC-U: max. 60 °C, PP-H: max. 80 °C
- Operating pressure: PVC-U: max 16 bar, PP-H: max. 10 bar

Applications

- To protect the pipelines against emptying of liquids
- Protection against pressure surges

Click [here](#) for more information.

Strainer GEMÜ N570



The GEMÜ N570 strainer has a plastic body (PVC-U or PP-H). The sealing elements are manufactured from EPDM or FPM. The integrated filter insert filters suspended matters in the medium.

Technical specifications

- Nominal sizes: PVC-U: DN 10 to 100 PP-H: DN 15 to 100
- Connections: Spigots, threaded sockets, solvent cement socket, flanges, other connections on request • Body material: PVC-U, grey; PVC-U, transparent; PP-H, grey
- Media temperature: PVC- U: max. 60 °C PP-H: max. 80 °C
- Operating pressure: PVC-U: max. 16 bar PP-H: max. 10 bar

Application

- Strainer for holding back impurities in flowing liquids

For more information, [click here](#).